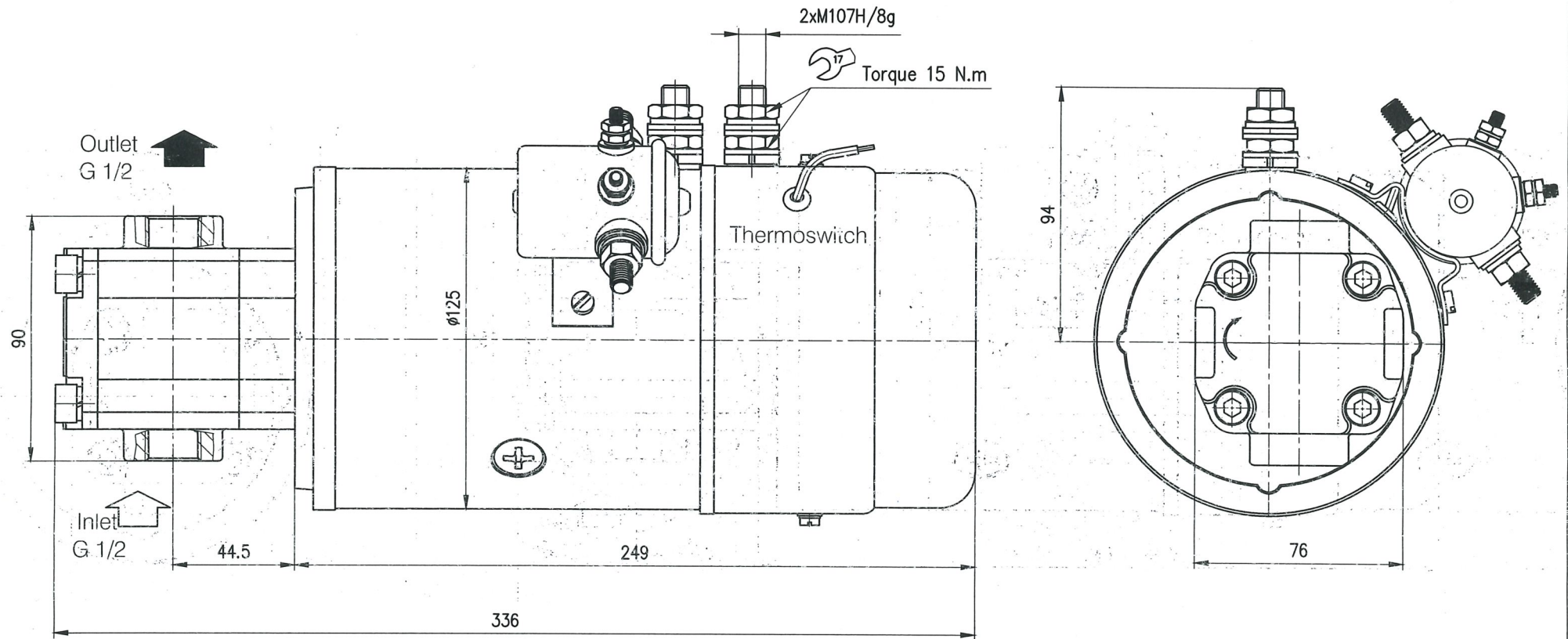


MOTOR - PUMP  
DCM 3/2.4/35-01-V - 10A3.15X001G



MOTOR

Rated Voltage 24 V  
 Rated Power 3 kW  
 Rated speed 3500 rpm  
 Rated Current 168 A  
 Operation mode S2 - 10 min  
 IP 20  
 Insulation F

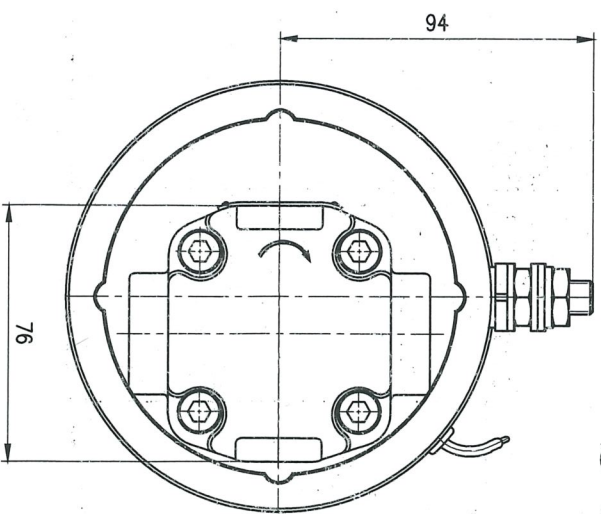
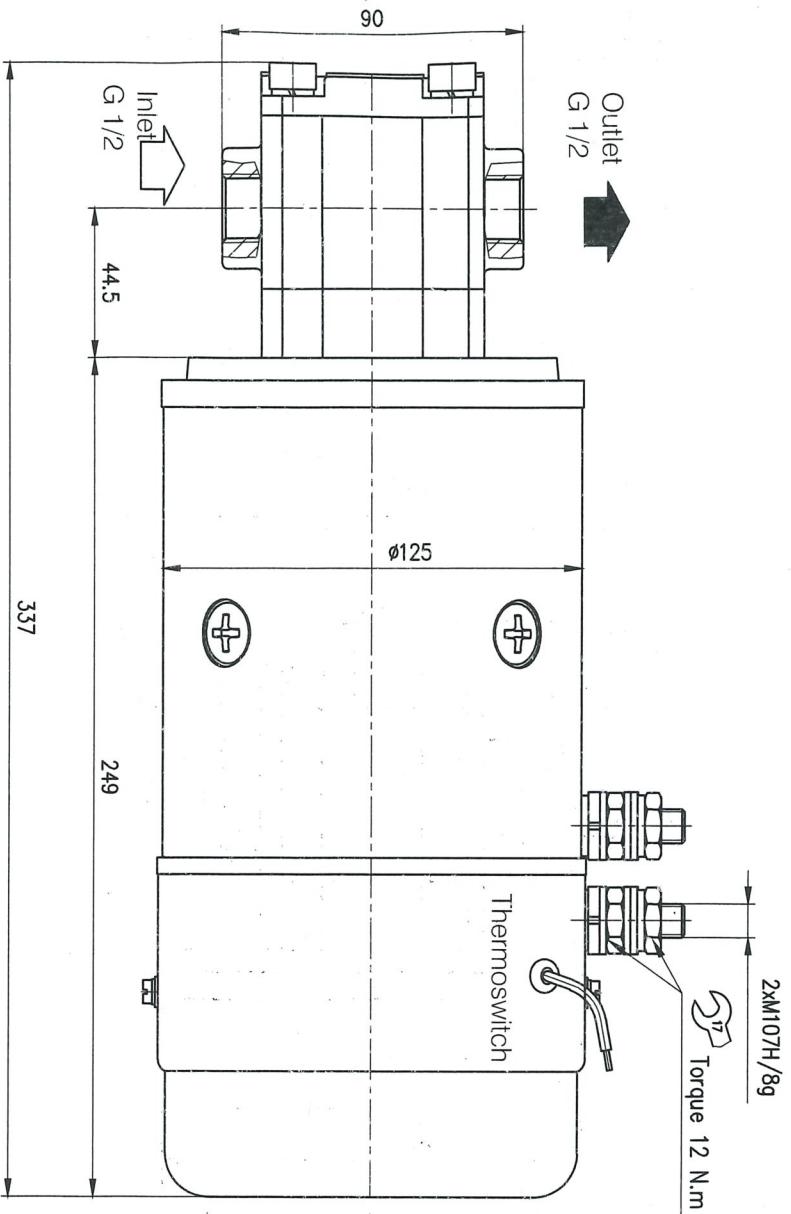
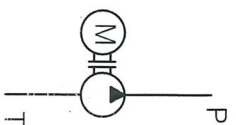
PUMP

Displacement 3.15cc  
 Max pressure 130 bar  
 Flow ~10.5 L/min  
 Weight ~ 12 kg

# MOTOR - PUMP

## DCM 0.7/8.0/20-01-V - 10A3.15X001G

Hydraulic scheme



### MOTOR

Supply Voltage 80 V  
 Rated Power 0.7 kW  
 Rated speed 2000 rpm  
 Operation mode S2 - 60 min  
 Excitation Compound

### PUMP

Displacement 3.15 cc  
 Max pressure 50 bar  
 Flow ~6 L/min

Weight ~ 12 kg

Connection Diagram

