

STEERING COLUMNS TYPE KK...



The M+S Hydraulic KK Steering Columns transfer the torque from the steering wheel of the vehicle to the HKU, HKUS or other steering units of the same class. The KK steering columns consist of a pipe in which the control shaft is centred.

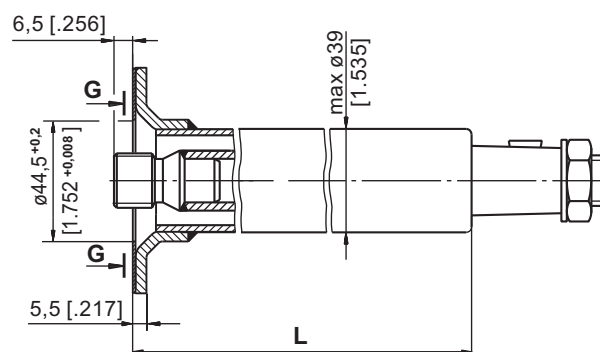
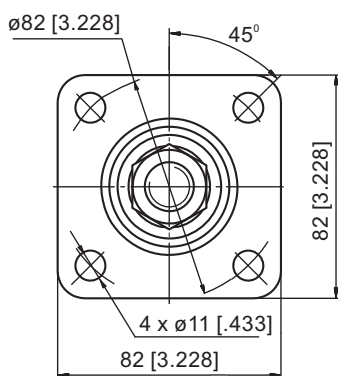
Permissible loads of the steering column are as follows:

Max. torque applied to the steering wheel 24 daNm [2124 lb-in]
 Max. bending moment 20 daNm [1770 lb-in]
 Max. axial load 100 daN [225 lbs]

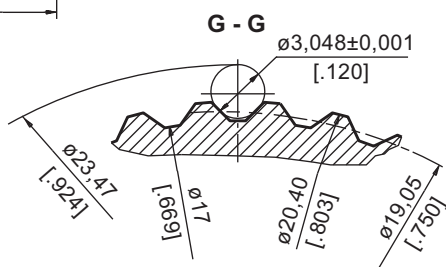
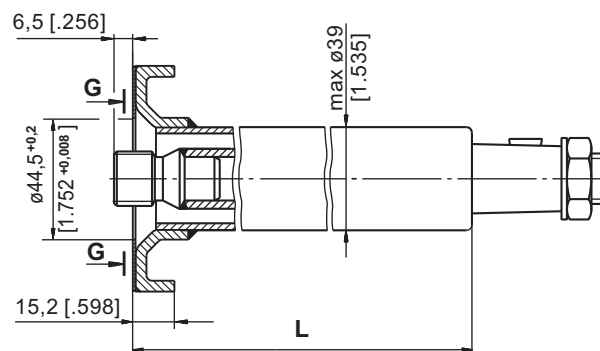
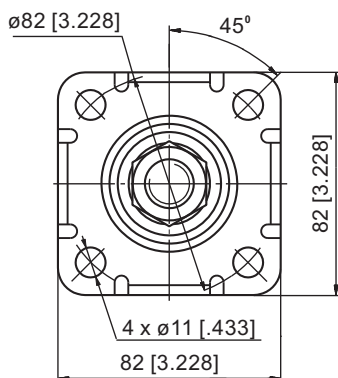
The steering column must be additionally supported when the length L exceeds 150 mm [5.91 in].

DIMENSIONS AND MOUNTING DATA

Type KK



Type KKF



SPECIFICATION DATA

| Involute Spline Data | | |
|----------------------|----------|--------|
| Modul | m | 1.5875 |
| Number of Teeth | z | 12 |
| Pressure Angle | α | 30° |
| Diametral Pitch | DP | 16/32 |

| Parameters | | Type | | | | |
|------------|------|--------|--------|---------|---------|---------|
| | | KK 75 | KK 150 | KK 390 | KK 441 | KK 750 |
| L | mm | 78 | 168,2 | 393 | 441 | 777,8 |
| | [in] | [3.07] | [6.62] | [15.47] | [17.36] | [30.62] |
| Weight | kg | 0,75 | 1,1 | 1,9 | 5,05 | 3,3 |
| | [lb] | [1.65] | [2.43] | [4.19] | [11.13] | [7.28] |

Note: The length L depends on the transport vehicle construction. For more information regarding other lengths and shaft versions, please refer to M+S Hydraulic.